

Sumitomo Drive Technologies
Always on the Move

Cyclo[®] 6000

Speed Reducers



CATALOG 03.601.50.007

Cyclo® 6000

Superior design, powerful performance



- ▶ The Cyclo® 6000 is also available as an inline Gearmotor

To request a catalog, or for more information on any of our high quality products, please visit our Website:

www.smcyclo.com

► Cyclo® 6000 boasts an expanded range of standard sizes and ratings. Use this chart to select a new Cyclo® 6000 when replacing Cyclo® series 3000 and 4000 models.

CYCLO® Frame Size Cross Reference		
PRIOR SERIES		NEW
3000	4000	6000
3075	4075	6060
		6065
		6070
3085	4085	6075
		6080
		6085
3090	4090	6090
3095	4095	6095
3097	4097	6095
3100	4100	6100
3105	4105	6105
310H	410H	610H
		6110
		6115
3110	4110	6120
3115	4115	6125
311H	4125	612H
3140	4130	6130
3145	4135	6135
		6140
3155	4145	6145
315H	4155	614H
3160	4160	6160
3165	4165	6165
316H	416H	616H
3170	4170	6170
3175	4175	6175
3180	4180	6180
3185	4185	6185
3190	4190	6190
3195	4195	6195
3205	4205	6205
3215	4215	6215
3225	4225	6225
3235	4235	6235
3245	4245	6245
3255	4255	6255
3265	4265	6265
3275	4275	6275

Table of Contents

1. General Information

2. How to Select a Speed Reducer

How to Select.	2.2
AGMA Load Classifications.	2.4
Housing Styles & Mounting Positions.	2.5
Configure a Model Number (Nomenclature).	2.6

3. Selection Tables

Single Reduction.	3.1
Double Reduction.	3.23

4. Dimensions. 4.1

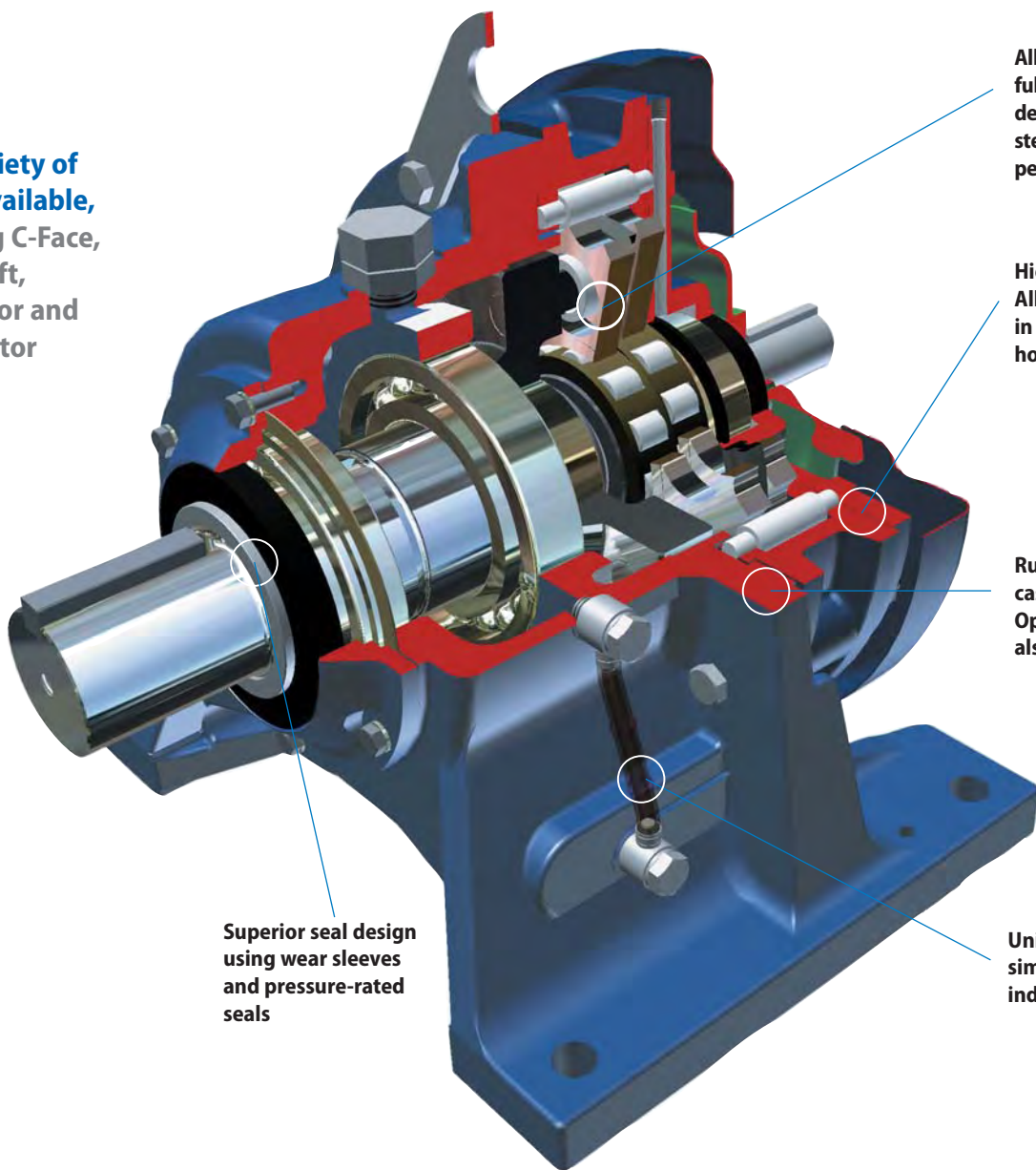
5. Technical Information

Lubrication.	5.2
Overhung Load Guidelines.	5.6
Axial Load Guidelines.	5.13
Slide Rails.	5.14
Food Industry Option Packages.	5.15
Warranty.	5.16



Cyclo[®] 6000

► **Wide variety of inputs available, including C-Face, Free-Shaft, Gearmotor and Brakemotor**



All rotating components are fully hardened, vacuum degassed bearing grade steel, for consistent, reliable performance

High power density. All reduction contained in compact ring gear housing

Rugged, shock-resistant cast iron housing. Optional ductile iron also available

Superior seal design using wear sleeves and pressure-rated seals

Unique oil sight gauge for simple, visible lubrication indication



Unmatched Reliability, Exceptional Performance

► Cyclo[®] speed reducers and gearmotors are designed to withstand shock loads exceeding 500% of their ratings



Product Description

Sumitomo Cyclo® speed reducers and gearmotors are the **premier in-line drives**. The revolutionary Cyclo® design provides **quiet, efficient and reliable performance** exceeding that of involute tooth gear designs. The key to Cyclo®'s matchless performance and reliability is that 67% of the reduction components are in contact at all times, compared to geared designs that use only limited tooth contact. Unlike geared designs, the Cyclo®'s reduction components operate in compression rather than shear, which results in **exceptionally rugged and shock resistant performance**. The Cyclo® technology coupled with innovative product options and accessories offer the most extensive range of application solutions available.

Features & Benefits

- **Cycloidal speed reduction technology**
 - ~ Quiet, efficient and reliable operation with high torque density and compact size
- **Modular design**
 - ~ Interchangeable cast iron housings in foot, flanged or face mount configurations
- **Universal mounting arrangements**
 - ~ Available free-shaft, quill hollow shaft, C-face, shovel base, and top-mount inputs
- **Internal components manufactured from hardened, vacuum-degassed, bearing grade steel**
 - ~ Minimal vibration, low noise, low backlash and extended operational life
- **The best product warranty**
 - ~ The 24 month warranty backs up the superb Cyclo® product reputation

Specifications

Sizes:	23 sizes (5lbs to 5000lbs)
Torque Rating:	55 to 603,000 lb in
HP Rating:	.10 to 235 HP
Ratio Range:	3:1 to 119:1 (single) 104:1 to 7569:1 (double) 8041:1 to 658,503:1 (triple)
Mounting:	Foot, Flange, Face Mount
Motor Standards:	NEMA, IEC, JIS, UL, CSA, CE

- ▶ **Sumitomo's Cyclo® 6000 is a highly reliable, torque dense cycloidal speed reducer and gearmotor**



- **Simple, Compact Design**
- **Rugged Forged Output Shaft**
- **Universal Mounting**
- **C-Face, Shovel Base & Top Mount Options**



▶ Applications

- Conveyors
- Food Machinery
- Mixers
- Automotive Plants
- Recycling Machines
- Poultry Plants
- Sawmills and Wood Mills
- Wastewater Treatment
- Steel Mills
- Construction Equipment
- Paper Mills
- Processing Plants