



FALK Wrapflex® Elastomer Couplings

“Talk About Simple”

- 9 sizes, 3 types
- Polyurethane element has excellent wear and chemical resistance
- Bores to 186 mm (7.25 inch)
- Capacities to 15 800 Nm (132,900 lb-in)
- Simple to install and non-lubricated
- Standard nylon cover (sizes 5R-50R) with positive location and retention
- Optional epoxy coated cover for Sizes 5R-50R (standard on Sizes 60R-80R)



Falk's Wrapflex Couplings offers the SIMPLEST installation, element change-out and maintenance compared to other types of couplings. The tough, flexible one-piece split

polyurethane element can be replaced without moving hubs or realigning equipment. Steel hubs are machined with a special nose radius (patent pending) for improved contact and longer element life. Hubs are available in stainless steel or with OD or TL bushings. Backed by a 3-Year Warranty, the Falk Wrapflex coupling provides a non-lubricated, torsionally soft solutions for low to medium capacity applications.



FALK Steelflex® Grid Couplings

The Ultimate “General Purpose” Coupling

- 25 sizes, 11 types
- Torsionally flexible
- Spring-steel grid flexing element
- Bores to 508 mm (20 inch)
- Capacities to 932 000 Nm (8,250,000 lb-in)
- Low initial and long-term cost



The easily replaceable grid in a Falk Steelflex coupling combines the high-load capabilities of a gear coupling with the flexibility of an elastomer design. Backed by a 5-year warranty, Falk Steelflex couplings require no periodic maintenance when lubricated with Falk supplied LTG (Long Term Grease) at installation.



FALK Lifelign® Gear Couplings

Economical - Long Lasting

- Flange sleeve, continuous sleeve, and steel mill series
- 28 sizes, 20 types
- Torsionally rigid
- Precision-crowned, gear-to-gear flexing element
- Bores to 1 200 mm (50 inch)
- Capacities to 8 191 813 Nm (72,500,000 lb-in)
- Lowest initial cost for high capacities



Triple-crowned for maximum capacity, Falk Gear Couplings have larger bores and higher ratings providing lower cost selections. When used with Falk LTG (Long Term Grease), Falk Lifelign Gear couplings can operate 3 years without relubrication. Falk Gear couplings provide the low-cost, long-lasting answer to both small and large capacity coupling requirements.



FALK Freedom® Disc Couplings

No Lubrication - No Maintenance

- 42 sizes, 20 types
- Torsionally rigid
- Stainless steel discs, unitized to simplify installation
- Bores to 400 mm (15.75 inch)
- Capacities to 313 210 Nm (2,772,000 lb-in)
- Low long term cost



Close tolerances and registered fits allow Falk Disc Couplings to provide continuous high-speed service with virtually no maintenance. Falk's unitized discpacks assure simple maintenance and a "no backlash" connection. Falk Disc Couplings are a practical alternative to lubricated and elastomer couplings for many applications.



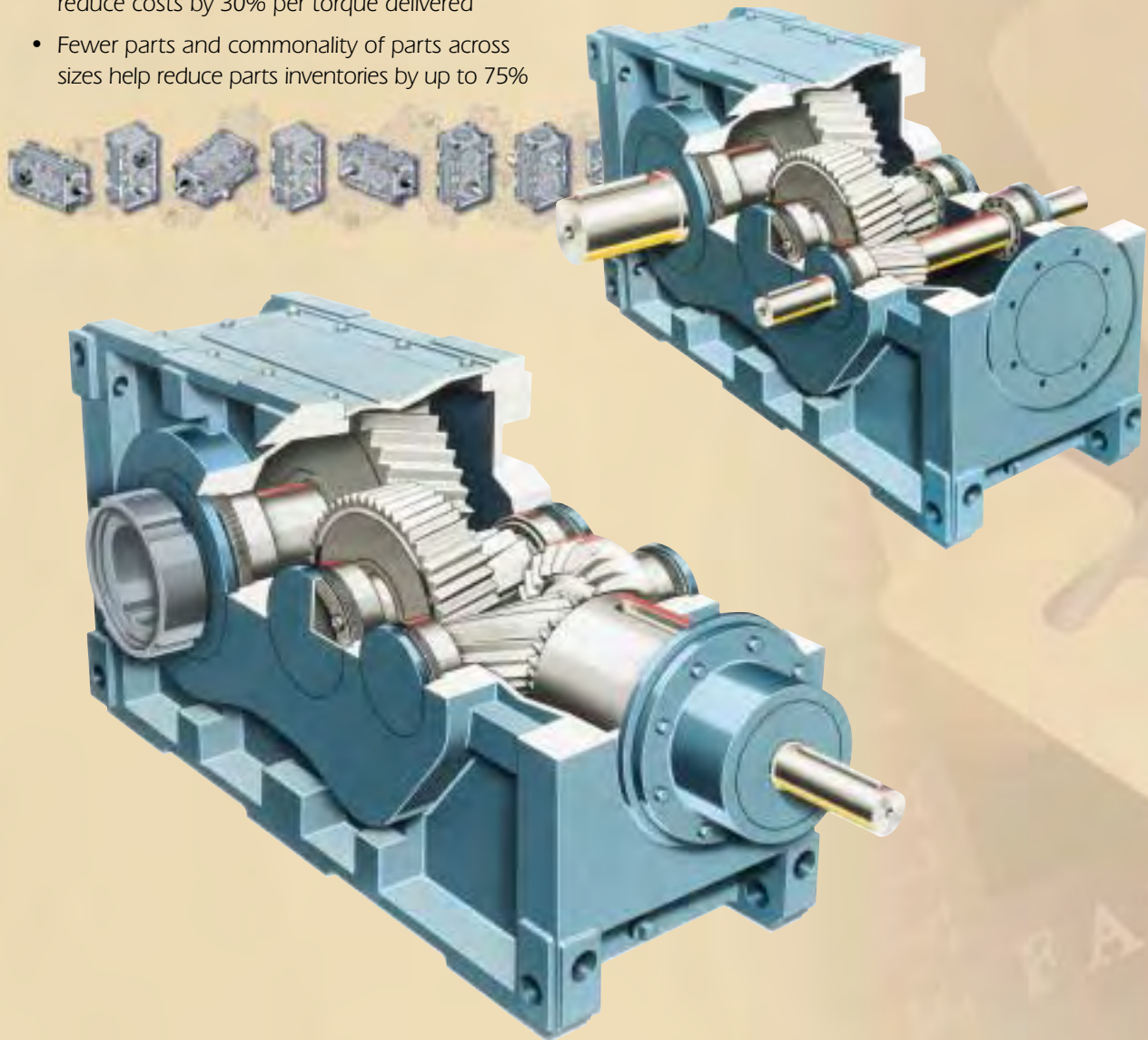


FALK Drive One™

One Drive For One World

- 17 sizes in development with ratings from 5 kNm - 60 kNm (45,000 lb-in - 530,000 lb-in)
- One design covers shaft-mounted, parallel shaft, right-angle, horizontal, vertical and foot-mounted applications, reducing spares inventories by up to 40%
- Exclusive 6-sided mounting for unmatched flexibility
- Hard metric design creates a truly global solution
- 60% fewer parts than traditional designs helps reduce costs by 30% per torque delivered
- Fewer parts and commonality of parts across sizes help reduce parts inventories by up to 75%

Drive One redefines lowest total cost torque management for heavy-duty industry. Now, one drive system combines low initial cost with lowest total cost for a wider range of applications than ever before possible. The result: Drive One makes Falk quality, value and performance practical for virtually any customer... anywhere in the world. And it allows customers with global operations to standardize on a single drive solution, providing a significantly lower total cost for the entire torque management program.



FALK A-Plus® Parallel Shaft Gear Drives – Horizontal or Vertical Mounting

Heavy-Duty Drives for Heavy-Duty Applications

- 17 sizes for foot, flange or shaft mounting
- Solid or hollow low-speed shafts
- Ratios: 1.8:1 to 437:1
- Capacities: 2 937 Nm to 621 448 Nm (26,000 to 5,500,000 lb-in)
- Power ratings to 14 168 kW (19,000 hp)



Strong, durable, compact, and energy-efficient, Falk A-Plus® parallel shaft gear drives serve a broad range of industrial applications. All Falk A-Plus gear drives feature DIN 6 quality (AGMA quality 11), case-carburized and finish ground, high strength helical gearing, fabricated steel housings, positive lubrication, and Magnum™ no-leak dirt-proof seals.



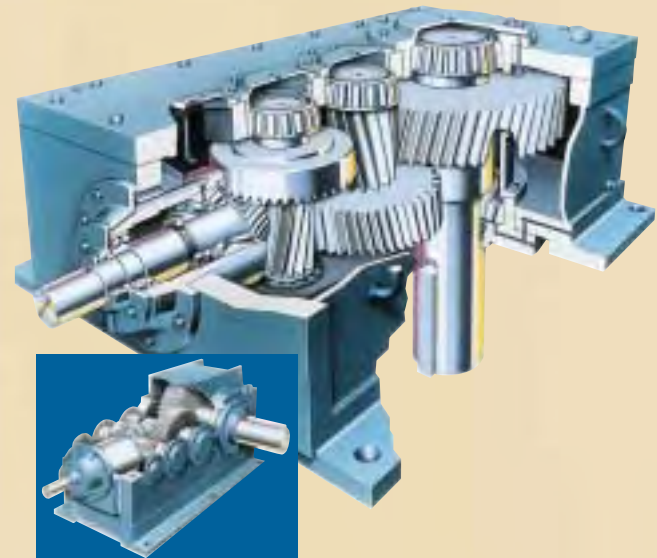
FALK A-Plus® Right-Angle Shaft Gear Drives – Horizontal or Vertical Mounting

The “Right Angle” on Heavy-Duty Performance

- 13 sizes for foot, flange or shaft mounting
- Solid or hollow low-speed shafts
- Ratios: 5.06:1 to 357:1
- Capacities: 10 937 Nm to 621 448 Nm (96,800 to 5,500,000 lb-in)
- Power ratings to 3 484 kW (4,673 hp)



Falk's compact and durable heavy-duty, right-angle gear drives have wide application in industry. All series “AB” drives feature carburized, root-peened, skived spiral bevel gears and DIN 7 quality (AGMA quality 10), case-carburized and finish ground, high strength helical gearing, fabricated steel housings, positive lubrication, and Magnum no-leak dirt-proof seals.



FALK Alignment-Free™ Conveyor Drive

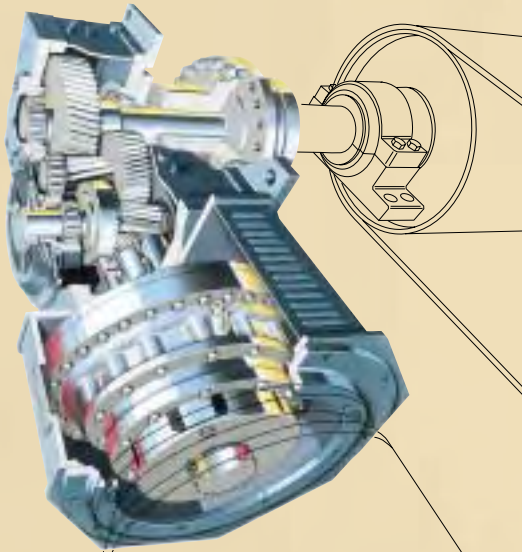
Falk Alignment-Free Drives for Trouble-Free Conveyor Operation

- 5 sizes for right-angle shaft mounting
- Flange or hollow low-speed shaft connections
- Use with fluid couplings or electrical soft starts
- Ratios: 13.95:1 to 34.74:1
- Power ratings from 90 kW to 630 kW (125 to 800 hp)



Falk's Alignment-Free, Shaft-mounted, Conveyor Drives meet all surface and underground

belt conveyor application requirements. By eliminating foundations, installed costs are reduced by as much as 20%. Shaft misalignment, a major cause of costly failures and downtime, is eliminated. Plus, a symmetrical housing substantially reduces spares inventory costs.



FALK High-Thermal Capacity Gear Drives – Type Y & YB

Application Tested - Proven Performance

- 20 sizes for parallel or right-angle shaft configurations
- Ratios: Parallel Shaft - 1.84:1 to 291.9:1, Right-Angle Shaft - 1.50:1 to 1207:1
- Capacities to 316 373 Nm (2,800,000 lb-in)
- Power ratings to 7 457 kW (10,000 hp)



Falk's high-thermal capacity gear drives feature through-hardened precision-machined helical gearing, carburized and lapped spiral bevel gearing, fabricated steel housings, large oil sumps, positive lubrication and Falk's exclusive no-leak Magnum Seals.™ Falk's "Y" series gear drives have proven reliability in industry for over 40 years.



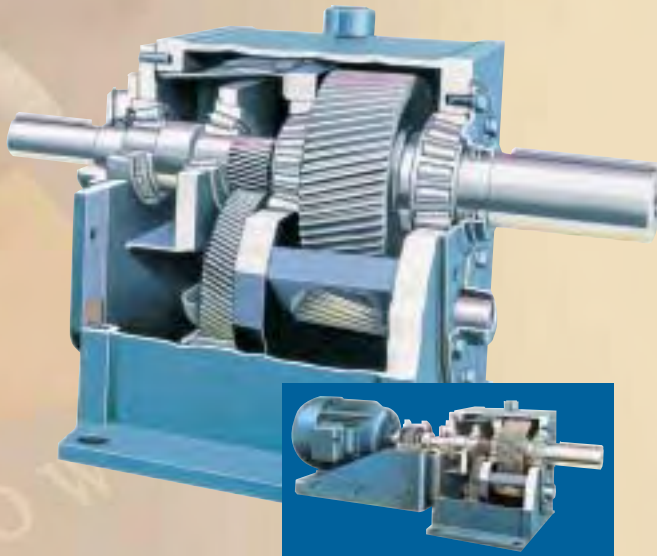
FALK UltraMax[®] Concentric Drive

The Industry's Largest Selection

- 12 sizes
- Concentric configurations
- Ratios: 1.5:1 to 985:1
- Capacities to 60 000 Nm (530,000 lb-in)
- Power ratings to 1 268 kW (1,700 hp)
- Optional scoop, flange, or baseplate mounted motors



An economical alternative to parallel shaft drives in the medium kilowatt/horsepower range. Modular construction and standard accessories and options allow for quick product shipment.



FALK Quadrive[®] Shaft-Mounted Drive

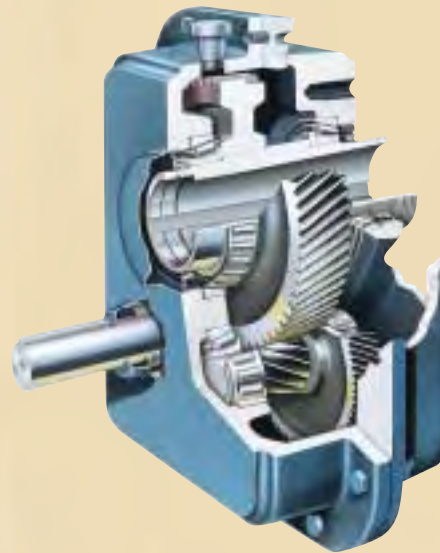
Easiest On - Easiest Off

- 11 sizes for flange or shaft mounting
- Horizontal or vertical mounting
- Bushing bores from 25 to 160 mm (1 inch to 6-1/2 inch)
- 5 to 350 rpm output speeds
- Capacities to 36 547 Nm (350,000 lb-in)
- Power ratings to 224 kW (300 hp)

An economical alternative to right-angle shaft mounted drives, featuring a V-belt input for easy speed changes and reduced spares inventory.

Quadrires feature a "Torque Assist" TA Taper[®] bushing that eliminates binding and makes installation and removal an "easy-on, easy-off" proposition.

The Quadrive modular design makes accessorizing for CEMA screw conveyor and other applications a simple matter. Drive removal is guaranteed, regardless of length of service or operating conditions, or we'll replace it free.



You can't afford not to use Falk.



FALK Ultramite® Gearmotors

A Drop-in Replacement for SEW Eurodrive® Gearmotors

UC Helical Concentric

- 7 sizes
- 19 kW to 37 kW (1/4 hp to 50 hp) capacity
- Ratios from 1.4:1 up to 16,000:1
- C-face and solid inputs, inch or metric
- Base and flange mounted designs
- Horizontal or vertical mountings

Like all Ultramite designs, the UC Concentric offers superior efficiency to traditional worm gears, in an affordable, modular package. This basic Ultramite design is ideal for any applications that call for a readily available, low-cost gear drive in the low to medium capacity range.

UW Right-Angle Helical Worm

- 8 sizes
- .19 kW to 37 kW (1/4 hp to 50 hp) capacity
- Ratios from 8:1 through 60,000:1
- C-face and solid inputs, inch or metric
- Base, shaft or flange mounted designs
- Straight bored hollow, tapered hollow shaft with TA bushings, or solid output shafts
- Horizontal or vertical mounting

While still offering superior efficiency to traditional worm gears, this design is the lowest-cost right-angle solution in the Ultramite family. Helical, high-speed gearing and durable, long-lasting performance make it ideal wherever as affordable, low horsepower right-angle drive is required. The UW also features our TA bushing which guarantees easy, positive removal... even after years of rugged service... or we replace the drive for free.



UJ Shaft-Mounted Offset Helical

- 6 sizes
- .19 kW to .30 kW (1/4 hp to 50 hp) capacity
- Ratios from 5:1 to 20,000:1
- C-face inputs provide convenient, beltless packages
- Base, shaft, or flange mounted designs
- Shaft-mounted designs utilize Falk's unique TA Taper bushing
- CEMA screw conveyor design
- Horizontal or vertical mounting

This clean, compact package is perfect wherever shaft mounting is desired, but V-belts aren't. The UJ also features our TA bushing which guarantees easy, positive removal... even after years of rugged service... or we replace the drive for free.

UB Right-Angle Helical Bevel

- 9 sizes
- .19 kW to 74 kW (1/4 hp to 100 hp) capacity
- Ratios from 8:1 to 10,000:1
- C-face and solid inputs, inch or metric
- Straight bored hollow, tapered hollow shaft with TA bushings, or solid output shafts
- Base, shaft or flange mounted designs
- Horizontal or vertical mounting

For maximum efficiency in a right-angle drive, select the UB. Helical and bevel gearing throughout makes this the most energy efficient Ultramite right-angle. It's a level of performance efficiency traditional worm gears simply cannot match. The UB also features our TA bushing which guarantees easy, positive removal... even after years of rugged service... or we replace the drive for free.

